

Elpho Kit for PAGE

The equipment are designed for teaching polyacrylamide gel electrophoresis (PAGE) technique using our teaching kits.

Components:

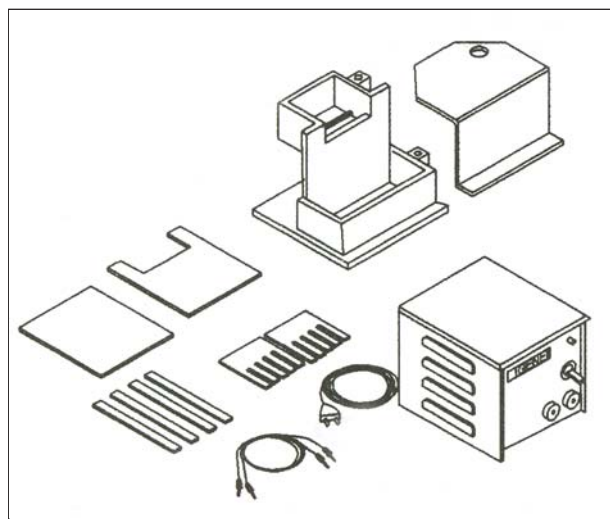
- Small vertical gel electrophoresis system
- Power supply 50/100 V

Ordering Information:

Product	Size	Cat #
Elpho Kit for PAGE	1 Pack	107079

Elpho Kit: Cat # 107079

- * Small vertical gel electrophoresis system
- * Power supply 50/100 V
- * Accessories



Elpho Kit for Submarine Electrophoresis & Electrotransfer

The equipment are designed for teaching Submarine electrophoresis and Electrotransfer techniques using our teaching kits.

Components

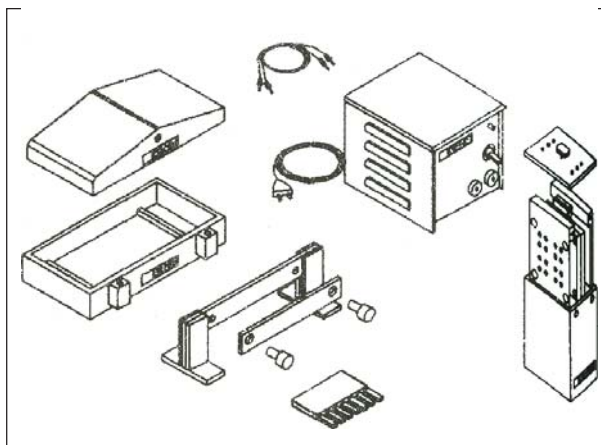
- Small Submarine electrophoresis system
- Electrotransfer System ● Power supply 50/100 V

Ordering Information:

Product	Size	Cat #
Elpho Kit for Submarine & Electro Transfer Includes Power supply	1 Pack	107089

Elpho Kit: Cat # 107089

- * Small Submarine electrophoresis system
- * Electrotransfer system
- * Power supply 50/100 V
- * Accessories



Elpho Kit for 2-Dimensional Polyacrylamide Gel Electrophoresis System

Description: The Equipment are designed for teaching 2-Dimensional Polyacrylamide Gel Electrophoresis technique using our teaching kits.

Ordering Information:

Product	Size	Cat #
Elpho Kit for 2-Dimensional Polyacrylamide Gel Electrophoresis	1 pack	116676

Components:

Mini vertical gel electrophoresis system with Rod gel system.

Note: Power pack not included.

Purchase if needed: **GeNei™** PS 100 Model, 50-250volts (New Cat# 106854)